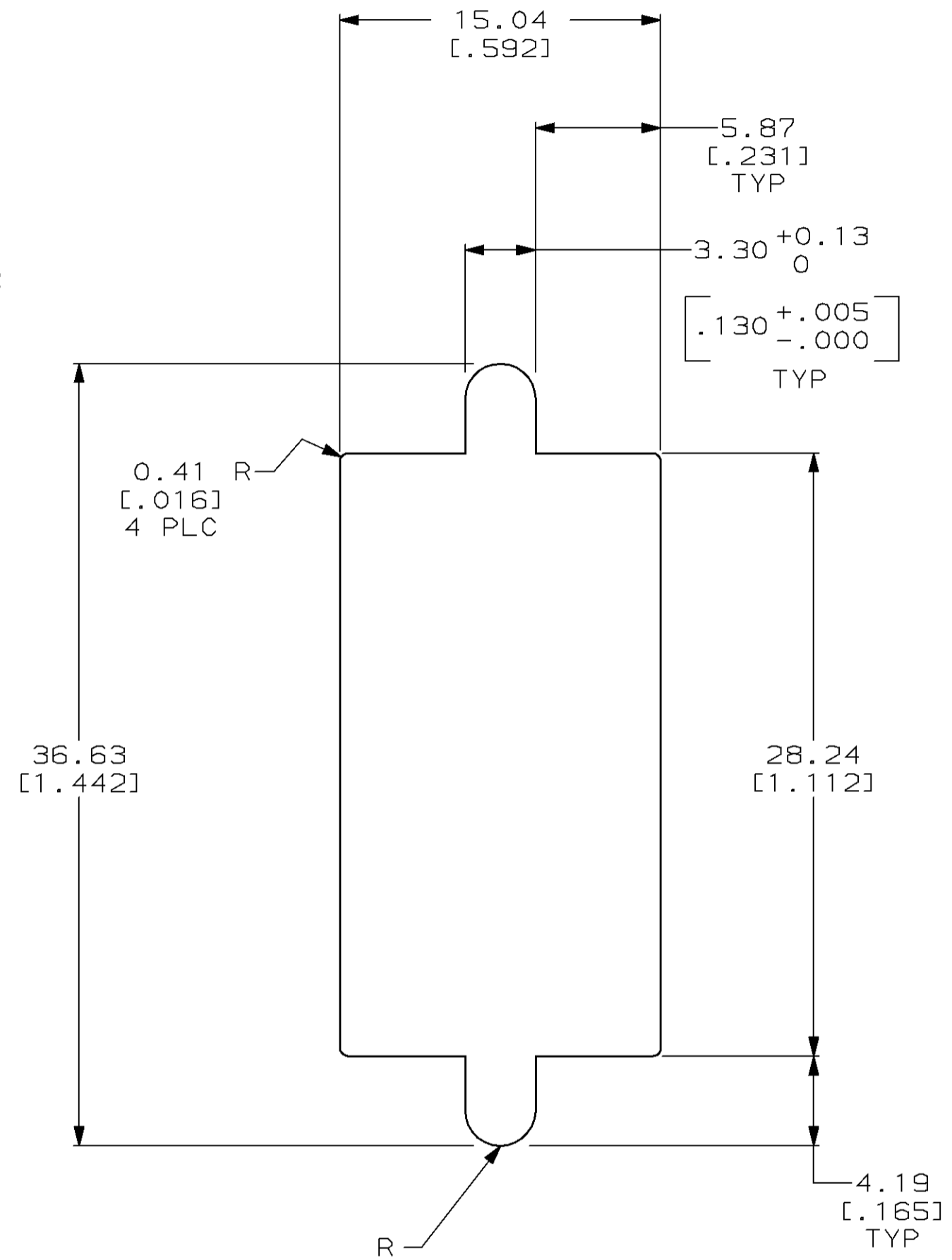
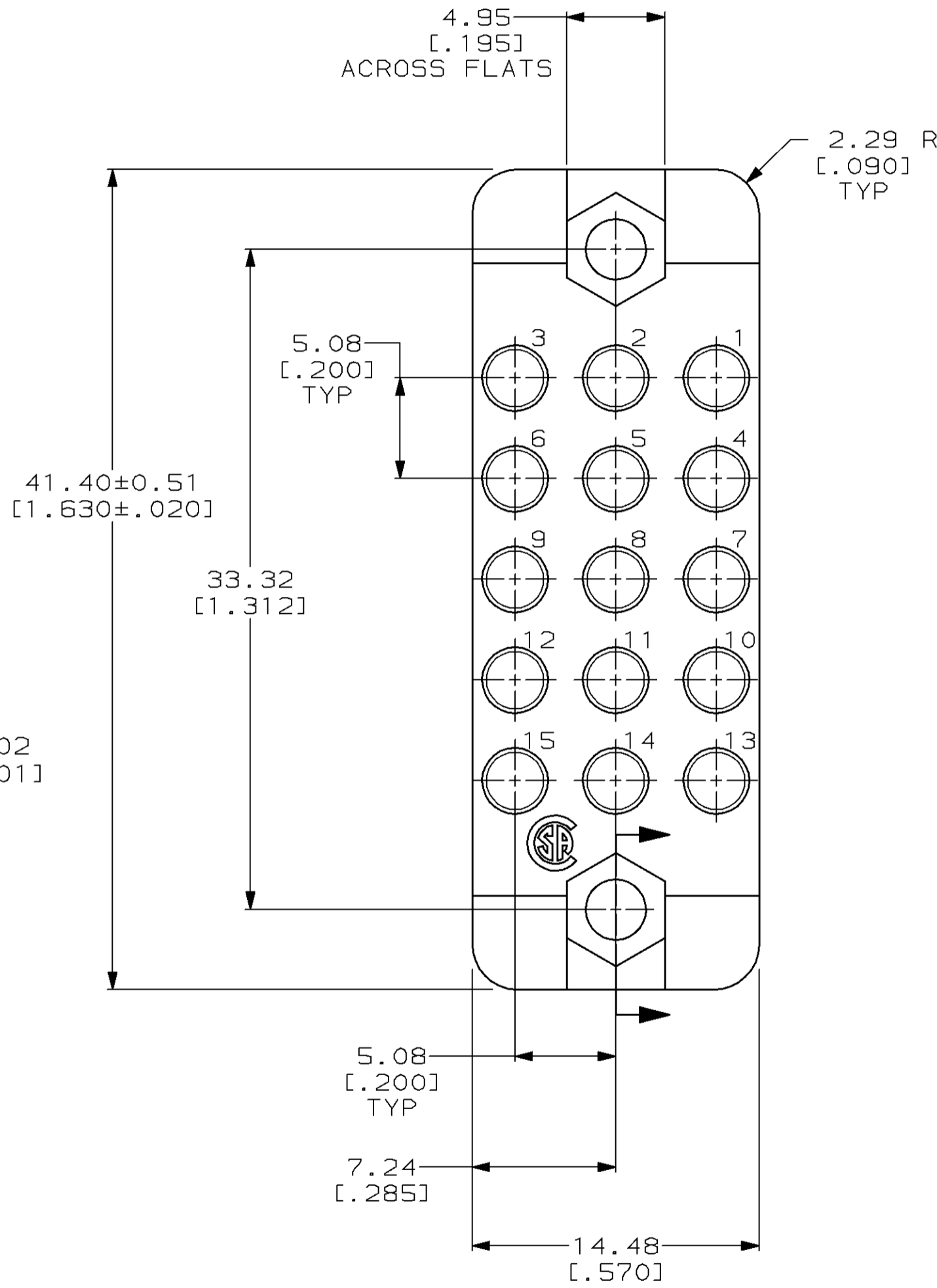
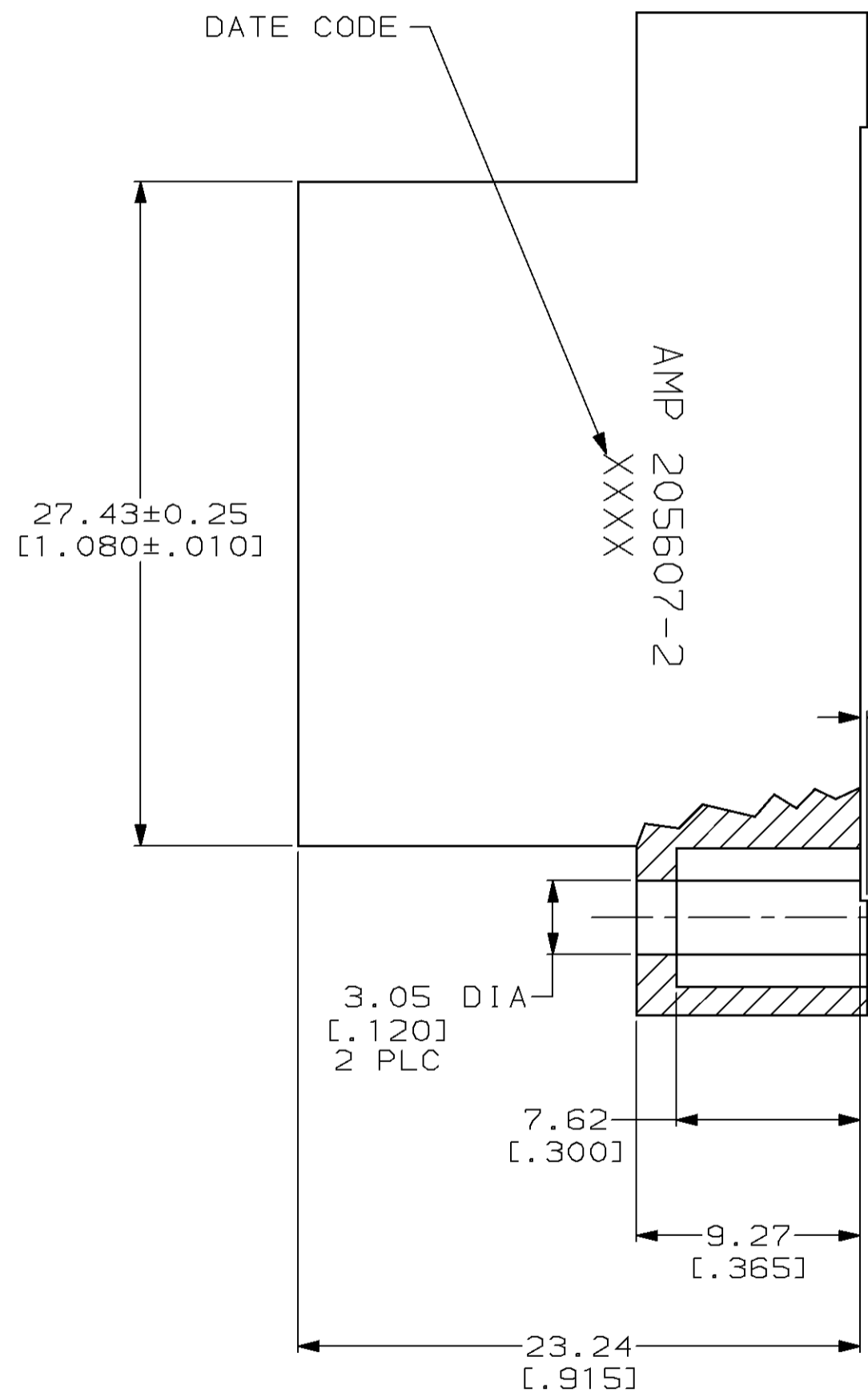


THIS DRAWING IS UNPUBLISHED. RELEASED FOR PUBLICATION
 © COPYRIGHT 19 BY AMP INCORPORATED. ALL RIGHTS RESERVED.

Loc		DIST		REVISIONS			
P	LTR	DESCRIPTION		DATE	DWN	APVD	
FT	8	E		REDRAWN W/O CHANGE PER EC 0020-289-96	09 AUG 96	-	-



RECOMMENDED PANEL CUTOUT

205607-2
PART NUMBER

- 1 PHENOLIC PER MIL-M-14, TYPE CFG, BLACK.
- 2. MATES WITH BLOCK 205606.
- 3. ACCOMODATES 15 TYPE II OR III+ SIZE #16 SOCKET CONTACTS.

THIS DRAWING IS A CONTROLLED DOCUMENT.		DWN B. CARBO 09 AUG 96	AMP Incorporated Harrisburg, PA 17105-3608
		CHK R. STONE 25 JUN 97	
DIMENSIONS: mm [INCHES]		APVD G. STEINHAUER 02 SEP 97	NAME BLOCK, PIN, 15 POSITION, M SERIES
TOLERANCES UNLESS OTHERWISE SPECIFIED:		PRODUCT SPEC	SIZE A2
0 PLC ±-		APPLICATION SPEC	CAGE CODE 00779
1 PLC ±-			DRAWING NO C-205607
2 PLC ±0.13 [.005]			SCALE 4:1
3 PLC ±-			SHEET 1 OF 1
4 PLC ±-			REV E
ANGLES ±-			
FINISH -			
MATERIAL 1		WEIGHT -	CUSTOMER DRAWING